

Great Plains Industries, Inc.

5252 E. 36th St. N.

Wichita, KS 67220

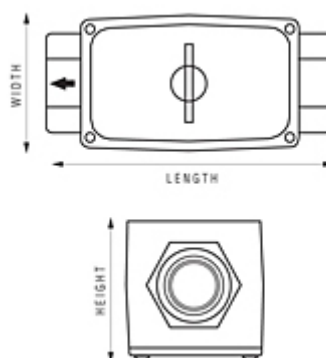
Tel: 888-996-3837**Fax:** 316-686-6746**Email:** info@gpi.net

Industrial Meters > G2 Series Industrial Grade Meters > G2 Industrial Meters - Aluminum > Item # G2A10I09LMA

Item # G2A10I09LMA 2 Totals (1 resettable/1 cumulative), Factory calibration in gallons and liters, 2 user calibrations and flow rate



[larger image](#)



[larger image](#)

[Specifications](#) · [Wetted Materials](#) · [Features and Benefits](#)

Specifications

Fitting Type	ISO (Female)
Housing Material	Aluminum
Electronic Choice	09
Calibration	Liters / Minute
Packaging	Use for Turbine Only or Turbine with Mounted Local Display.
Turbine Sizes	1 Inch
Flow Range	5 to 50 gpm 18.9 to 190 lpm
Accuracy (Turbine only)	± 1.5 %
Accuracy (Turbine with Computer)	± 1.0 %
Pressure Rating	300 psi 21 bar
Operating Temperature Range -Turbine Only	-40 to 121 °C
Operating Temperature Range	+14 to 140 °F

with Computer	-10 to 60 °C
Typical K-Factor	565
Frequency Range	47 - 470 Hz at 5 - 50 GPM
Recommended Strainer Size	28 mesh
Maximum Flow	75 gpm 284 lpm
Wrench Flat Size	1 5/8 Inch 41 mm
Shipping Weight	1.6 lbs 0.73 kg
Shipping Weight with Turbine Only	1.4 lbs 0.63 kg
Meter Length	4.5 Inch 114 mm
Meter Height ?	2.2 Inch 56 mm
Meter Width	2.0 Inch 51 mm

Approvals **ATEX**

ATEX ANNEX VIII II 3 G



CE



EEx nL IIC T4 U




APPROVED

Factory Mutual Approved

IP44/IP54/IP66

Ingress Protection Code

NEMA**4**

	NEMA 4  Underwriters Laboratories - cUL
Product Identifier	Industrial Grade Meter

Wetted Materials

Housing:	Aluminum
Bearings:	Ceramic
Shaft:	Tungsten Carbide
Rotor:	PVDF
Rings:	316 Stainless Steel

Features and Benefits

- High precision, durable and compact turbine flowmeters.
- Modular design allows for use with Output Modules, Sensors and Remote Transmitters.
- Local Display Computer features: 2 Totals (1 Resettable, 1 Cumulative); Factory Calibration in gallons and liters; 2 User Calibrations and Flowrate.
- Internal parts are simple to replace for easy maintenance.
- Lightweight, compact design allows for easy installation.
- Powered by Lithium batteries for approximately 9,000 hours.

[Print](#) [Back](#)