

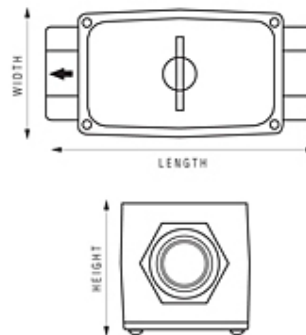
# G2B20I09LMB Turbine with local display

## Turbine with local display

2 Totals (1 resettable/1 cumulative), Factory calibration in gallons and liters, 2 user calibrations and flow rate



[larger image](#)



---

## Specifications

**Size**

[09](#)

**Fitting Type**

ISO  
(Female)

**Housing**

**Material**

Use for  
Turbine  
Only or  
Turbine  
with  
Mounted  
Local  
Display.

<b>Electronic Choice</b>	09
<b>Calibration</b>	Liters / Minute
<b>Packaging</b>	Use for Turbine Only or Turbine with Mounted Local Display.
<b>Turbine Sizes</b>	2 Inch
<b>Flow Range</b>	20 to 200 gpm 76 to 760 lpm
<b>Accuracy (Turbine only)</b>	± 1.0 %
<b>Accuracy (Turbine with Computer)</b>	± 0.75 %
<b>Pressure</b>	300 psi 21 bar

**Rating**

**Operating**

**Temperature**

**Range -**

**Turbine Only**

-40 to  
121 °C

**Operating**

**Temperature**

**Range with**

**Computer**

+14 to  
140 °F  
-10 to 60  
°C

**Typical K-**

**Factor**

100

**Frequency**

**Range**

33 - 330  
Hz at 20  
- 200  
GPM

**Recommended**

**Strainer Size**

28 mesh

**Maximum Flow**

300 gpm  
1136  
lpm

**Wrench Flat  
Size**

3 Inch  
75 mm

**Shipping  
Weight**

3.9 lbs  
1.7 kg

**Shipping  
Weight with  
Turbine Only**

3.7 lbs  
1.7 kg

**Meter Length**

6.3 Inch  
160 mm

**Meter Height**  
?

3.2 Inch  
81 mm

**Meter Width**

3.3 Inch

**ATEX**

ATEX ANNEX VIII II 3 G



CE



EEx nL IIC T4 U

**Approvals**



Factory Mutual Approved

**IP44/IP54/IP66**

Ingress Protection Code

**NEMA**

**4**

NEMA 4



Underwriters Laboratories - cUL

**Product Identifier**

Industrial Grade Meter

## **Wetted Materials**

<b>Housing:</b>	316 Brass
<b>Bearings:</b>	Ceramic
<b>Shaft:</b>	Tungsten Carbide
<b>Rotor:</b>	PVDF
<b>Rings:</b>	316 Stainless Steel

## **Features and Benefits**

- High precision and durable turbine flowmeters.
- Modular design allows for use with Output Modules, Sensors and Remote Transmitters.
- Local Display Computer features: 2 Totals (1 Resettable, 1 Cumulative); Factory Calibration in gallons and liters; 2 User Calibrations and Flowrate.
- Internal parts are simple to replace for easy maintenance.
- Powered by Lithium batteries for approximately 9,000 hours.