

# OIL UP FEEDER OUF-88

# NEW



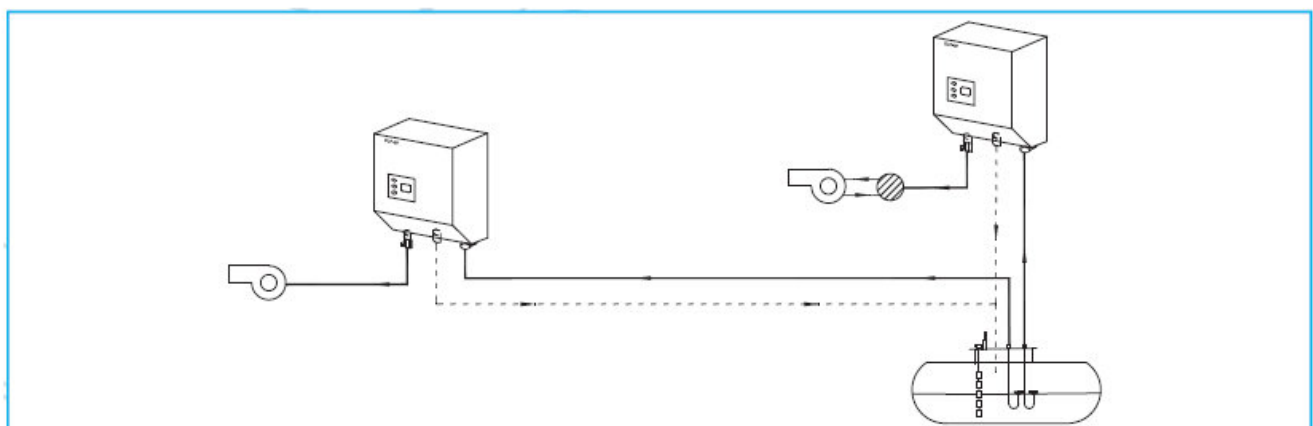
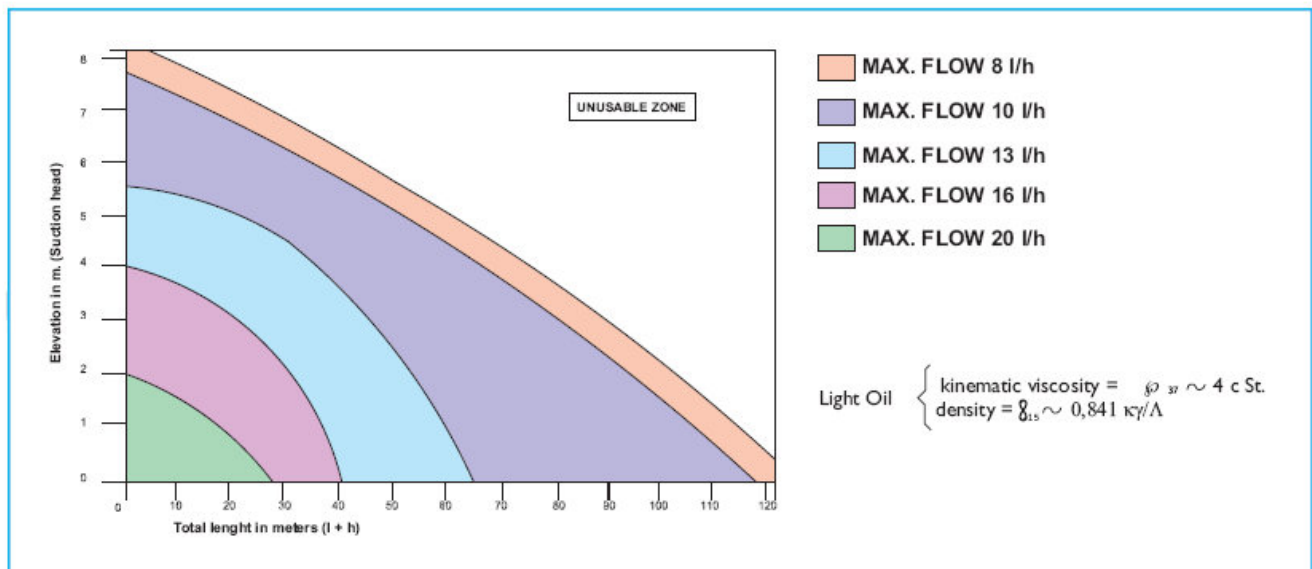
<b>PUMP TYPE</b>	Suction Solenoid Pump
<b>LIFTING HEIGHT (MAX.)</b>	8 m. vertical (8 mm I.D. tube)
<b>MAX. HORIZONTAL DISTANCE</b>	100 m. horizontal (8 mm I.D. tube)
<b>OUTLET FLOW RATING (8 mm I.D. tube)</b>	8 l/hr at: 8 m vertical & 25 m horizontal 15 l/hr at: 5 m vertical & 25 m horizontal
<b>INLET CONNECTION</b>	3/8" F BSP
<b>OUTLET CONNECTION</b>	3/8" F BSP
<b>OVERFLOW OUTLET CONNECTION</b>	1/2" F BSP
<b>POWER SUPPLY</b>	AC 230V, 50Hz
<b>POWER CONSUMPTION</b>	50 W
<b>RESERVOIR TOTAL CAPACITY</b>	3,5 Litre
<b>DIMENSIONS (W x D x H)</b>	240 x 125 x 300 mm
<b>WEIGHT</b>	3 kg
<b>FUEL TYPE</b>	Kerosene & Diesel Oil

## Optional Fittings

- Oil collecting tray 400 mm wide wall mounted
- Wall mounted infrared Leak Detector only TGPG123

## Product code

6800232  
6800220



**Atkinson  
EQUIPMENT LIMITED**

Tel: 01373822220

Fax: 01373826996

Registered office:

Moat road, West Wilts Trading Estate, Westbury, Wiltshire, BA13 4JF

Registered Number: 1050233 England

[www.atkinsonequipment.com](http://www.atkinsonequipment.com)