

Atkinson

ACCESSORIES

Accessories

Ventatank

No socket is required.
A 2½" - 2¾" diameter hole is cut in the top of the tank.
Clear instructions are included with each pack.
The design complies with BS 799, where a 2" dia. fill is fitted.
If necessary the unit can be fitted over a 2" BSP half socket.

Screwed Filler Cap & Chain

This plastic unit has been designed to supersede, at a very modest price, the expensive metal caps which are widely used on oil tank fill pipes.
Screwed 2" BSP, and with a neoprene sealing disc, the green polypropelene moulded cap is supplied complete with chain and fixing clip.

Vent Cover

Designed to push and lock onto 2" BSP nipple or bend.
Moulded in green polypropelene.
Robust construction.
Overall diameter 3¾".
Depth 1".

Tank Contents Gauge

A simple, low cost, float operated dial gauge.
Model AFG40 for 4ft. deep tank.
Model AFG40 for 5ft deep tank.
Model AFG60 for 6ft. deep tank.
Model Universal for 0 - 2000mm deep tank.
All models - 3½" dial.
All models - Weight - 200 grams.

Sludge Valve

A robust purpose-made unit for fitting to a ¾" BSP tank socket.
It features a non-removeable valve to facilitate draining sludge without the danger of losing the core.

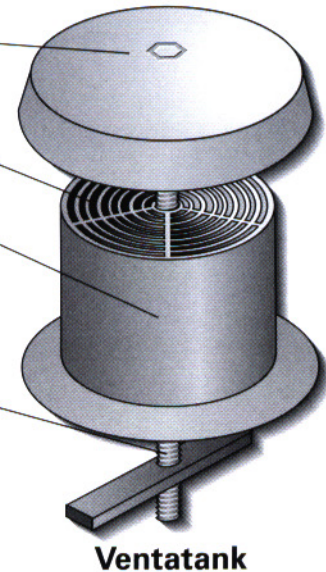
These accessories are suitable for use with tanks for central heating and diesel oil.

Cap when in place will afford the correct volume for venting and still provide a weather-proofing feature.

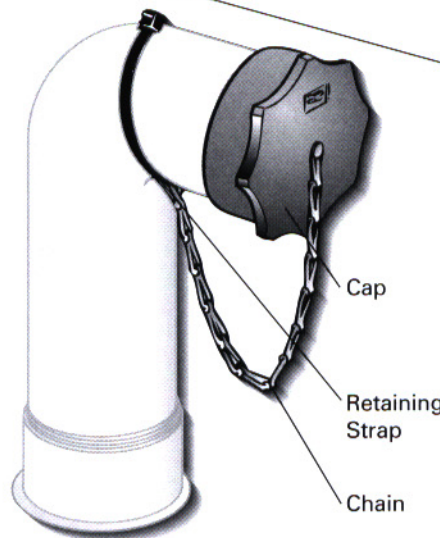
Moulded-in Grille to prevent the ingress of leaves and insects etc, without affecting the venting properties.

Body together with the cap is manufactured in green, oil resistant polypropelene and has a flexible tank-top sealing flange.

Cross-bar and bolt



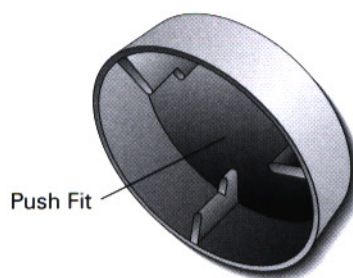
Ventatank



Screwed Filler Cap & Chain
(Elbow not included)

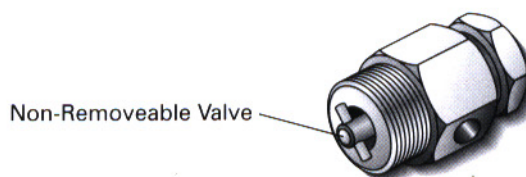


Tank Contents Gauge



Push Fit

Vent Cover



Non-Removeable Valve

Sludge Valve